

Power Solutions

- Telecom Power
- Medical Power
- Flat Panel Power
- Electric Power
- Display Power
- LED Power
- Laser Power
- OA Power
- Datacenter and Networking Power Solutions
- Solar & BESS & EV Charging Solution
- Bi-directional Inverters for Portable Power

Industrial Automation

- Servo System
- Control System
- Elevator Controller
- Linear Motors
- IoT Solution
- Encoder
- Variable Frequency Drive
- Internal Gear Pump

eMobility & EV Infrastructure

- Integrated Charging System (OBC & DC-DC)
- Power Electronic Unit (2-in-1, 3-in-1)
- E-Compressor
- TV EDU
- Inverter
- Construction Machinery Controller
- Intelligent Active Hydraulic Suspension (i-AHS)
- Railway A/C Controller
- Railway VFD
- Thermal Mgmt. System
- Light Electric Vehicle Motors, Inverters, and Charging System

Intelligent Equipment

- Intelligent Welding
- Electric Submersible-Progressing Cavity Pump
- Industrial Microwave
- Polysilicon Water Quenching Equipment
- Automatic Car Washing Machine
- Intelligent Lifting Devices

Home Appliance Control Solutions

- Residential A/C Controller
- Commercial A/C Controller
- Heat Pump Controller
- Vehicle A/C Controller
- Solar A/C Controller
- Mini Compressor Controller
- Refrigerator Controller
- Washer/Dryer Controller
- Residential Microwave
- Industrial Microwave
- Smart Bidet
- RF Thawing System

Precision Connection

- FFC
- FPC
- Coaxial Cable
- CCS
- Litz Wire
- Peek Wire

SHENZHEN MEGMEET ELECTRICAL CO., LTD.

Addr. 1: 5th Floor, Block B, Unisplendour Information Harbor, Langshan Rd., Science & Technology Park, Nanshan District, Shenzhen, 518057, China

Addr. 2: 34th Floor, High-tech Zone Union Tower, No.63 Xuefu Road, Nanshan District, Shenzhen, 518057, China

Version: 202507

MEGMEET reserves the right to modify the technical parameters and appearance of the products in this catalogue without prior advice to the users.

FOLLOW US

Q Megmeet



Laser Power Supply Solutions

Relying on more than 20 years of technological accumulation in the power supply industry, MEGMEET provides the power supply solutions with high efficiency, high power density and high reliability for the industrial field customers.





10

9

3,0

Cinema Series

Laser

It is a modular power supply integrating DC power supply and laser constant current drive, with multiple laser constant current drive outputs. Its total power is greater than 1500 W, with RS485 signal communication, which supports for multi-module parallel communication and a variety of laser brightness adjustment method. It is widely used in cinema projection, engineering projection, billboard projection, stage lights and other occasions.



Key Features

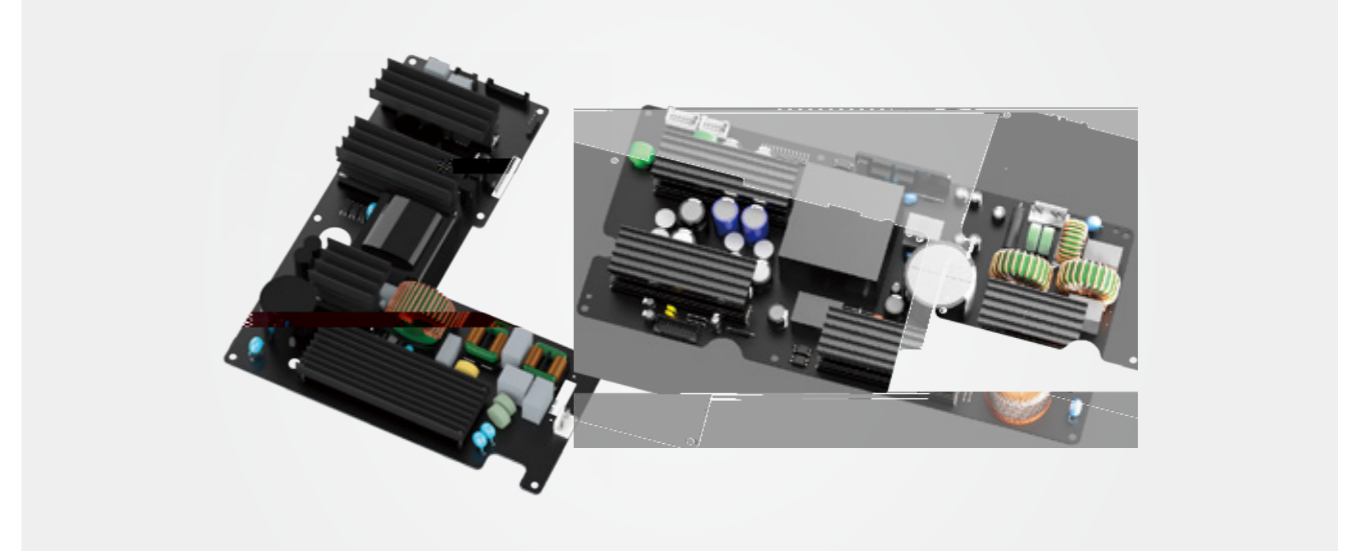
- DC output and constant current laser drive in one
- Constant current drive with two current feedback loops, high output accuracy
- Support multi-module parallel communication
- Metal enclosure with built-in fan for heat dissipation

| Parameter | MPL1600-GF |
|--------------------------------------|---|
| Input Voltage | 200 to 240 VAC |
| Frequency | 50 Hz |
| Power Factor | PF > 0.92 @ 220 VAC 100% load |
| Input Protection | AC undervoltage protection |
| Output Voltage / Current | 24 V / 20 A; LD1: 38 to 61 V / 3.5 A; LD2 / LD3 / LD4: 44 to 68 V / 3.5 A; LD5: 22 to 36 V / 3.5 A; LD6: 27.5 to 68 V / 2.3 A |
| Output Power | 1617 W |
| DC Voltage Regulation Accuracy | ± 5% |
| Constant Current Regulation Accuracy | ± 5% |
| Output Protection | OVP, OCP, OSP, OTP |
| Efficiency | ≥ 85% @ 220 VAC 100% load |
| Communication Port | RS485 |
| Brightness Adjustment | ADJ, PWM, HDR |
| Cooling Mode | Fan cooling |
| Operating Temperature | -20 °C to +40 °C |
| Dimension (D x W x H) | 348 x 168 x 98 (mm) |

Engineering Education Series

Laser

It is a modular power supply with integrated DC power supply and laser constant current driver. its total power is 300 to 800 W, with RS232 signal communication, while supporting a variety of laser brightness adjustment methods, widely used in education projection, conference projection, engineering projection, billboard projection, stage lights and other occasions.



Key Features

- DC output and constant current laser drive in one
- Several laser brightness adjustment methods
- 360 degree placement
- System fan cooling

| Parameter | MPL600-S4 | MPL300-E6 |
|--------------------------------------|---|--|
| Input Voltage | 100 to 240 VAC | |
| Frequency | 45 to 65 Hz | |
| Power Factor | PF > 0.92 @ 220 VAC 100% load | |
| Input Protection | AC undervoltage protection | |
| Output Voltage / Current | 5 V / 3 A; 12 V / 4 A; 12 VA / 4 A; LD1 / LD2: 45 to 70 V / 3.8 A | 5 V / 1 A; 12 V / 6 A; LD1 / LD2: 41 V / 3.5 A |
| Output Power | 610 W | 413 W |
| DC Voltage Regulation Accuracy | ± 5% | |
| Constant Current Regulation Accuracy | ± 5% | |
| Output Protection | OVP, OCP, OSP, OTP | |
| Efficiency | ≥ 85% @ 220 VAC 100% load | ≥ 84% @ 220 VAC 100% load |
| Communication Port | RS232 | |
| Brightness Adjustment | ADJ, PWM, Segmentation | ADJ, PWM |
| Cooling Mode | Fan cooling | |
| Operating Temperature | -10 °C to +40 °C | |
| Dimensions (W x D x H) | 260 x 118 x 37 (mm) | 231.7 x 191 x 36 (mm) |

Micro-projector + Lighting Series

Laser

It is a modular power supply with integrated DC power supply and LED constant current driver. There are two LED constant current driver outputs, with a total power of 150 to 200 W, which supports adjusting the colour temperature and brightness of the lighting lamps, and is widely used in home chandelier projection and other occasions.



Key Features

- Supports ightlight mode
- DC multiple output
- System fan cooling
- Support adjusting the colour temperature and brightness of the lighting lamps

| Parameter | MPL200-JM-CP01 | MPL200-JM-ATM |
|--------------------------------------|---|--|
| Input Voltage | 100 to 240 VAC | |
| Frequency | 45 to 65 Hz | |
| Power Factor | PF > 0.92 @ 220 VAC 100% load | |
| Input Protection | AC undervoltage protection | |
| Output Voltage / Current | 3.3 V / 1 A; 18 V / 9.4 A; LED1 / LED2: 30 to 42 V / 0.75 A | 17 V / 7.5 A; LED1 / LED2: 28 to 42 V / 0.75 A |
| Output Power | 196 W | 160 W |
| DC Voltage Regulation Accuracy | ± 5% | |
| Constant Current Regulation Accuracy | ± 5% | |
| Output Protection | OVP, OCP, OSP, OTP | |
| Efficiency | ≥ 85% @ 220 VAC 100% load | ≥ 84% @ 220 VAC 100% load |
| Communication Port | SPI | UART |
| LED Brightness Adjustment | SPI | UART |
| Cooling Mode | Fan cooling | |
| Operating Temperature | -10 °C to +40 °C | |
| Dimensions (W x D x H) | 139 x 130 x 22 (mm) | 237.8 x 107 x 33 (mm) |